



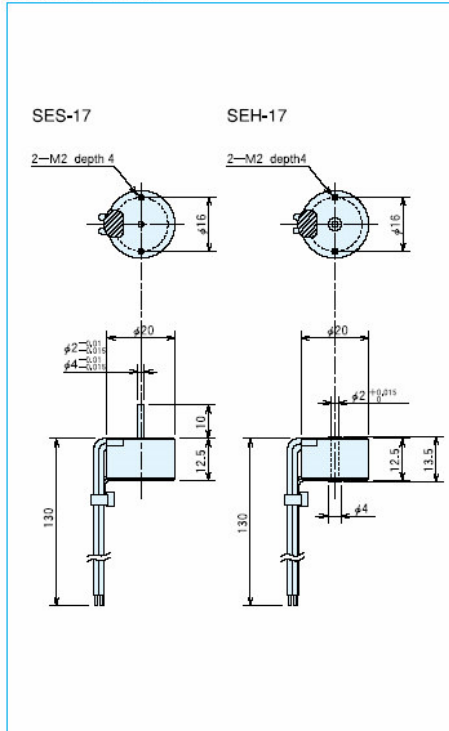
İMAJ TEKNİK
ELEKTRİK ELEKTRONİK MALZ. SAN. VE TİC. LTD. ŞTİ.

SE-17 series

[Approximate Sine Wave/Incremental]



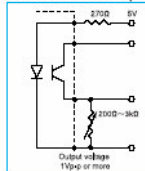
Outside dimensions



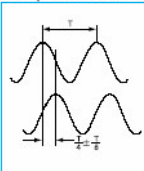
Specifications

Type name	SE□-17-□□
Item	Shaft shape ●S1=2 single shaft ●S4=4 single shaft ●H=Hollow shaft Pulse number ●A=single phase ●AB=two-phase Output phase
Supply voltage	DC5V $\pm 10\%$
Current consumption	30mA (LED: maximum 20mA)
Detection system	Incremental
Output pulse number (Standard)	100 200 300 360 (single phase only)
Output phase	A phase, A, B phase
Output form	Approximate sine wave
Output capacity	—
Maximum response frequency (response pulse number)	20kHz
Output phase difference	A, B phase difference $90^\circ \pm 45^\circ$
Waveform rise/fall time	—
Starting torque	$0,3 \times 10^{-3} \text{N} \cdot \text{m}$ (3gf-cm) or less
Allowable load of shaft (electrical)	Radial (2) 1,9N (200gf) / (4) 4,9N (500gf) Thrust (2) 1,9N (200gf) / (4) 4,9N (500gf)
Maximum allowable revolutions (mechanical)	6000min^{-1}
Working ambient temperature/ humidity	$0^\circ\text{C} \sim 50^\circ\text{C}$
Storing ambient temperature	$-20^\circ\text{C} \sim 80^\circ\text{C}$
Vibration resistance	Durability 55Hz, double amplitude 1,5mm 2 hours each in X, Y, and Z directions
Impact resistance	Durability 500m/s^2 (about 50G) 3 times each in X, Y, and Z directions
Cable	Vinyl wire (AWG28) 130mm
Mass	20g

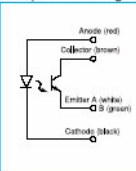
Connection example



Output waveform



Output circuit diagram



İmaj Teknik Elektrik Elektronik San. ve Tic. Ltd. Şti.

EMEKYEMEZ MAH.TUTSAK SOK. NO: 16/13-14-15
KARAKOY/İSTANBUL
TURKEY

Telefon : +90 212 235 9535 / 36
Fax : +90 212 235 9537

www.imajteknik.com
www.imajteknik.com.tr

İMAJTEKNIK LTD ŞTİ